

Grey's Woodworks is very pleased to introduce to you our new garage line. Constructed with the classic craftsmanship that Grey's has become known for, our beautiful garages come in a variety of styles and sizes. We'll help you design a garage to match your surroundings. Select from our fine pine, cedar, vinyl or T1-11 sidings and arrange the doors and windows to complement your special garage design. From our Classic Garage to our Salt Box and Two-Story Gambrel Garage, we offer stunning design options and the finest workmanship.

Please use the enclosed grid to assist in determining the garage size that will best suit your needs. Cut outs of specific items you may wish to put in your garage are included along with a floor plan guide to help determine the exact size you need. Simply cut along the dotted lines of the items you wish to store. A 1 1/2" walkway is included around each item. If two items are placed side to side then you will obtain a 3' walk space.

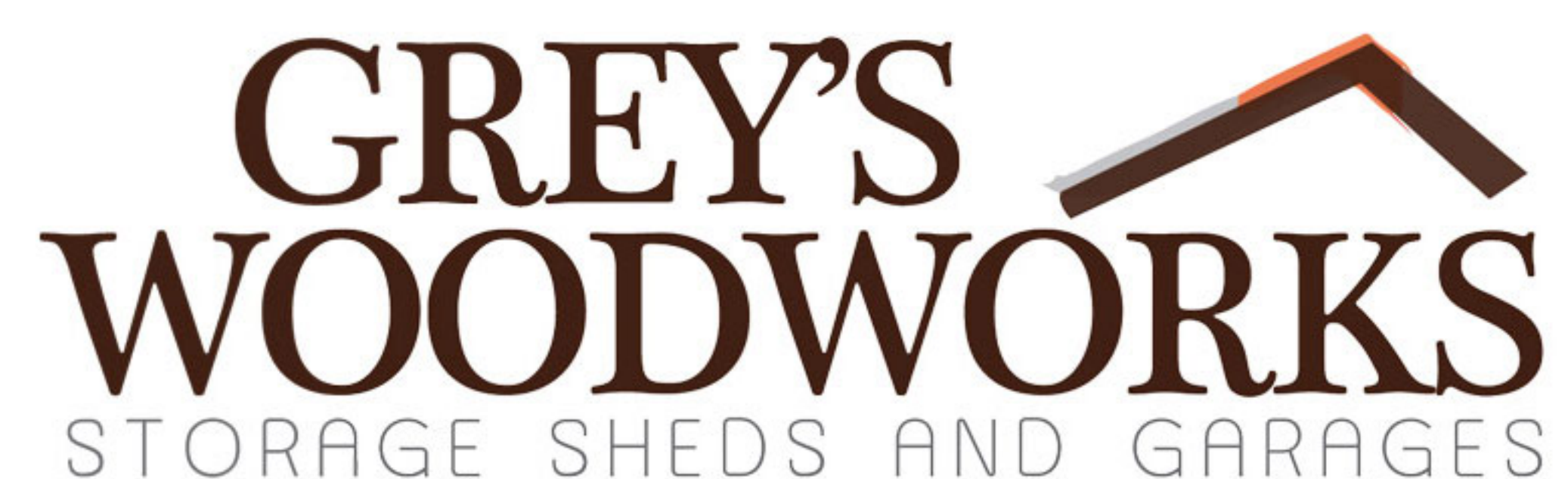
Position these items on the floor plan provided to determine the actual building size you need. Vehicles, recreation equipment, doors, overhead doors, windows and walkways are also included. We've added a ruler to help you create your own template designs. NOTE: Item sizes can vary from those given. Measure your own items for exact sizes and don't forget to consider your height measurement.

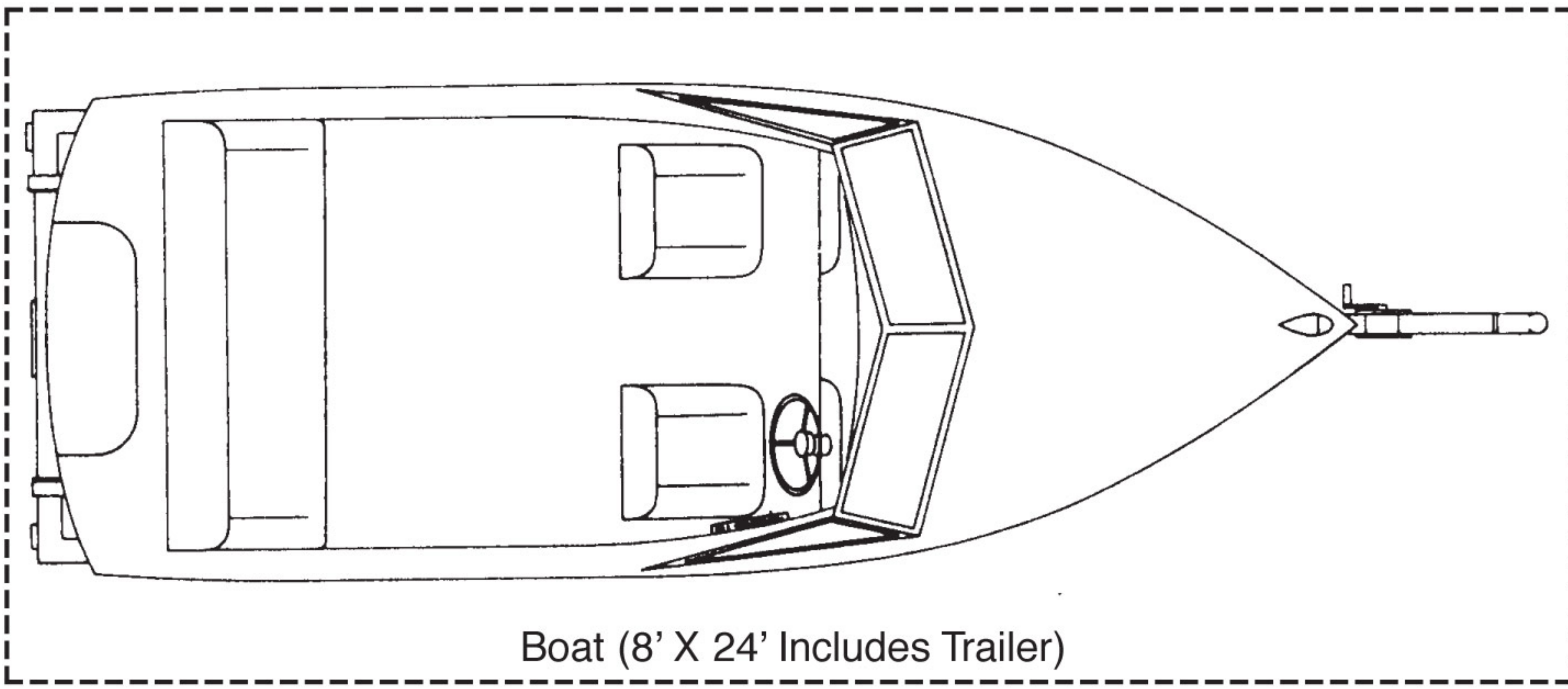
Grey's garages also have a host of accessories to add to your design including weathervanes, cupolas, shutters, larger overhangs, and more.

Grey's great garages can be built to meet your exact specifications and needs meeting code requirements and saving you time and money. NOTE: Building permits are always required. Please check with your local building department to determine your specific permit needs.

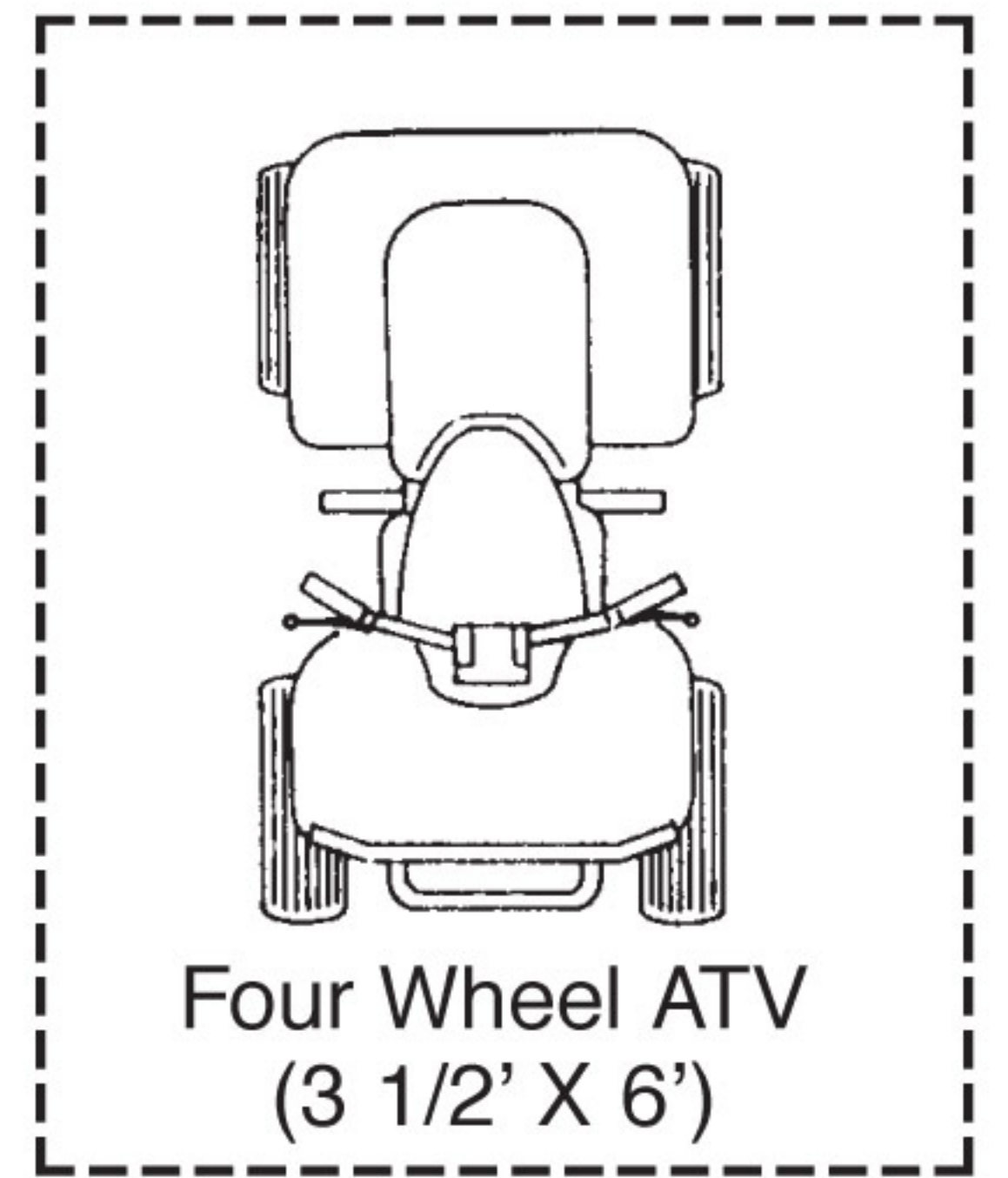
Financing is available for those who qualify.

GREY'S
WOODWORKS
STORAGE SHEDS AND GARAGES

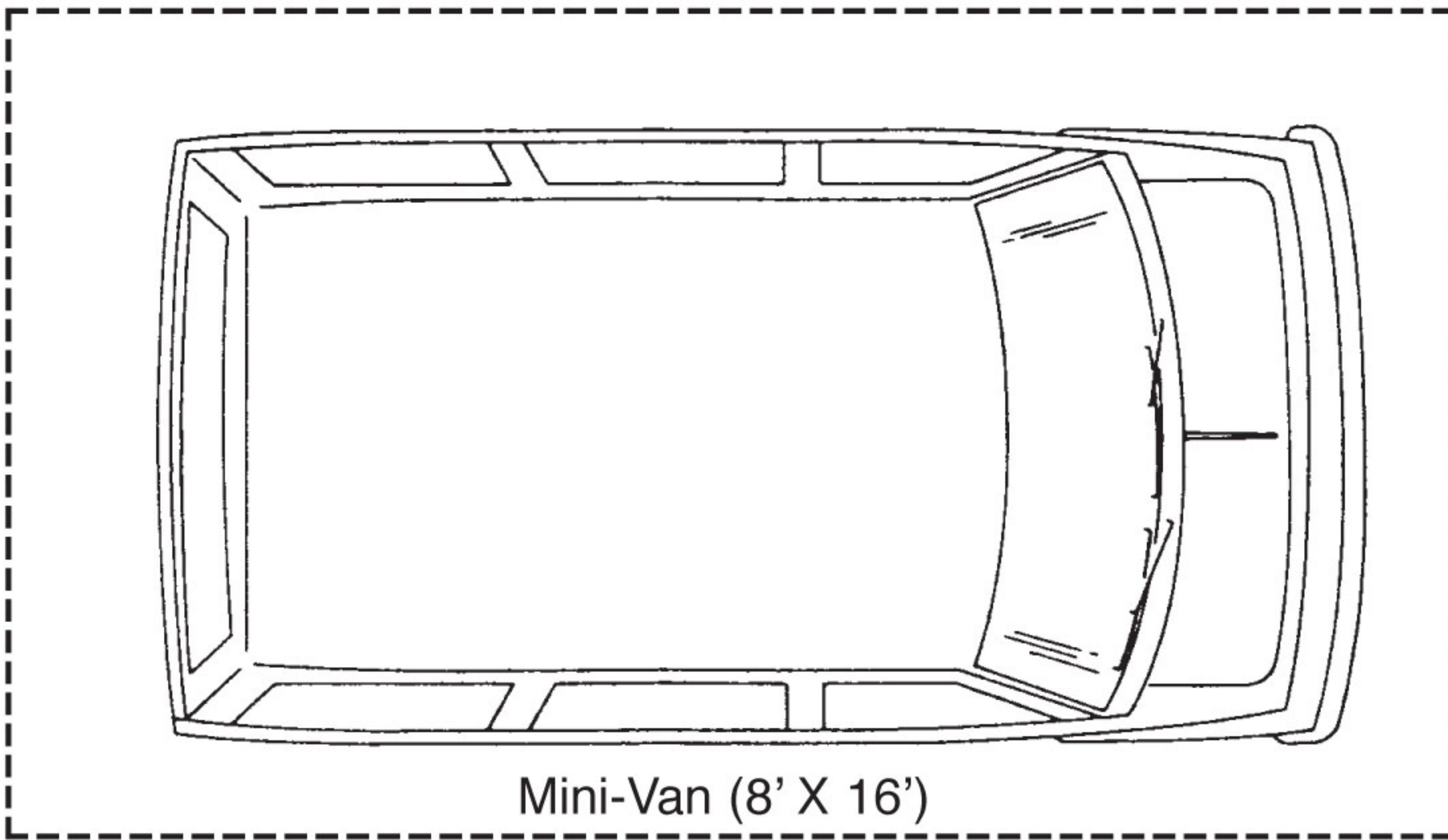




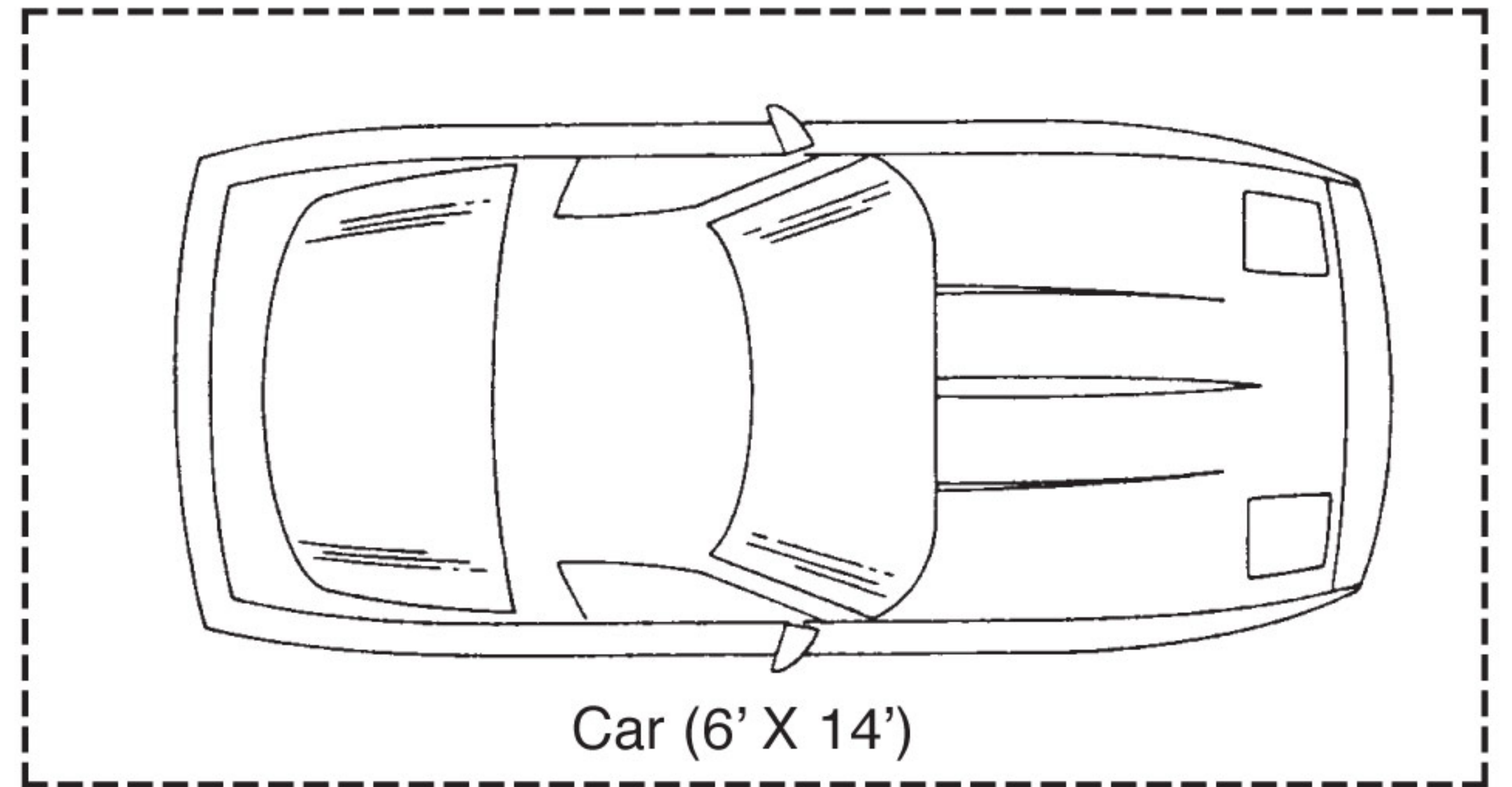
Boat (8' X 24' Includes Trailer)



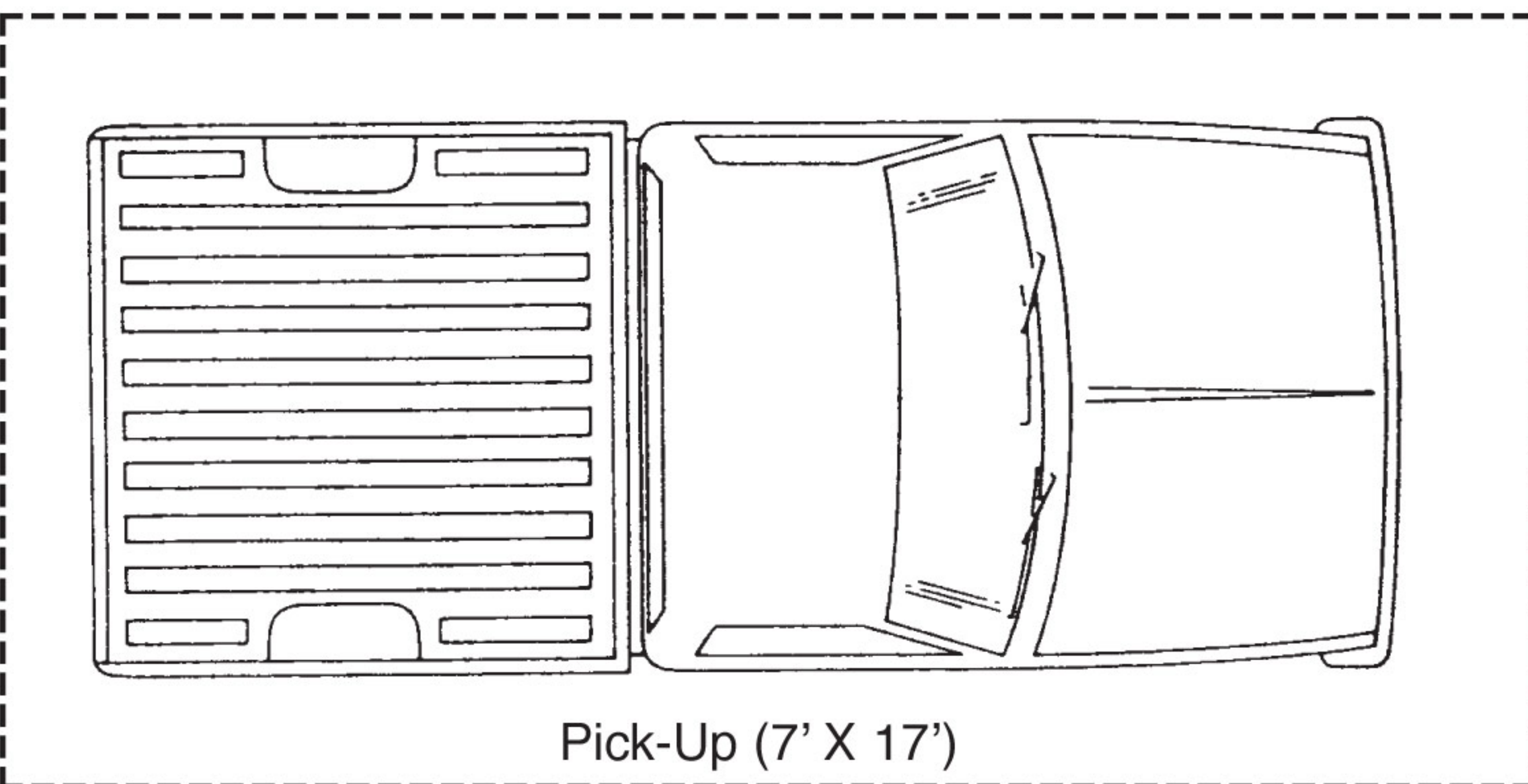
Four Wheel ATV
(3 1/2' X 6')



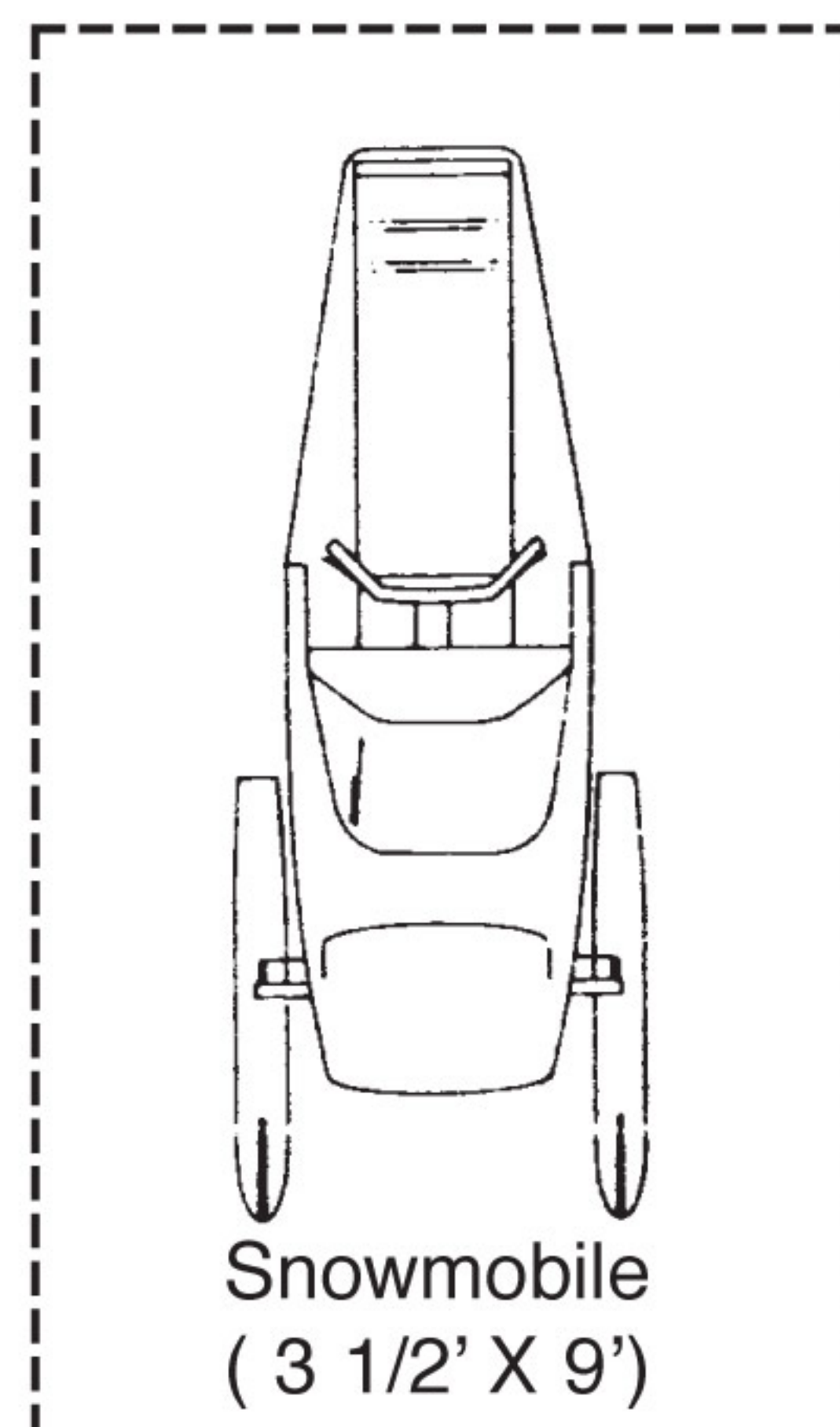
Mini-Van (8' X 16')



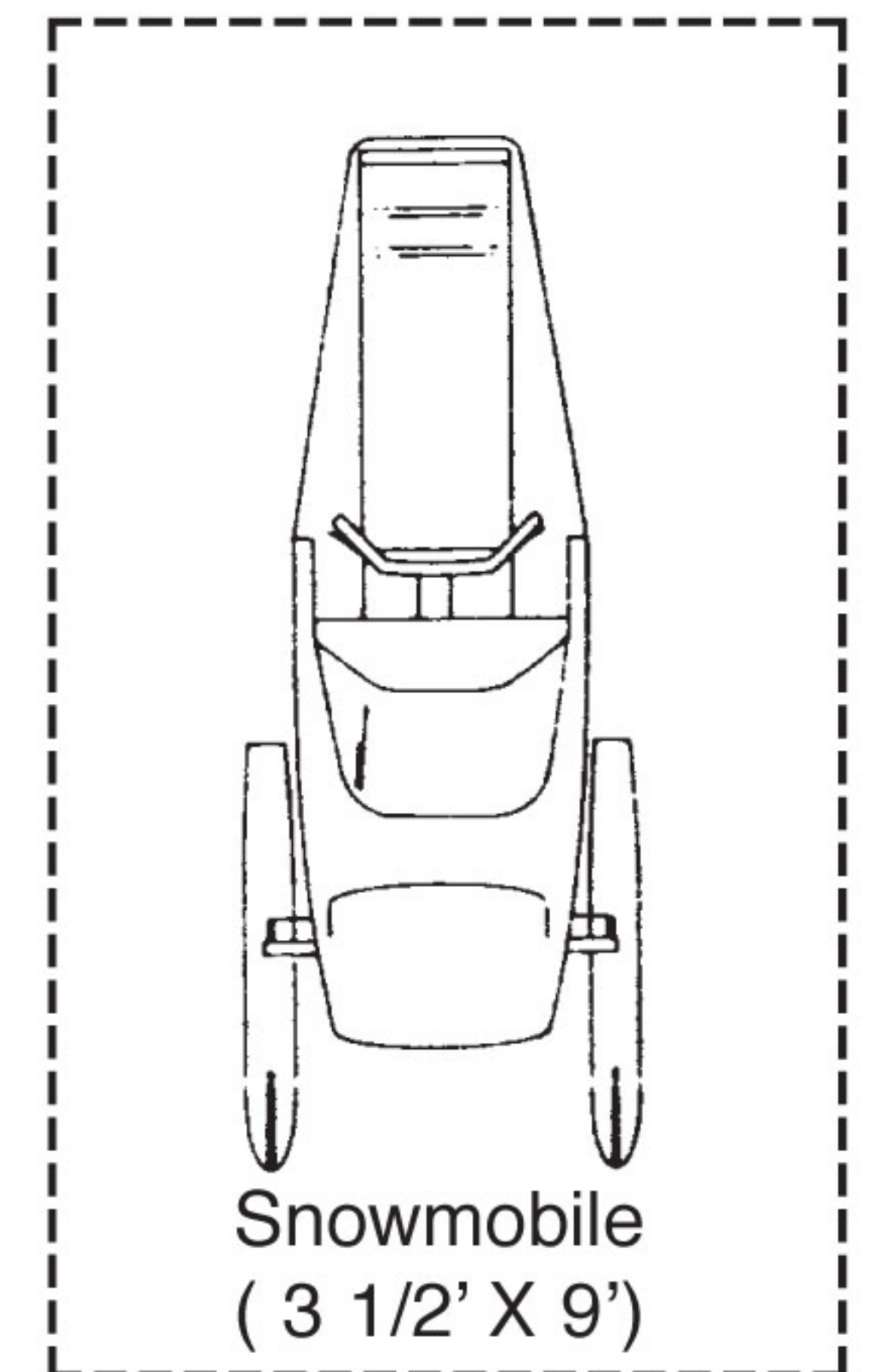
Car (6' X 14')



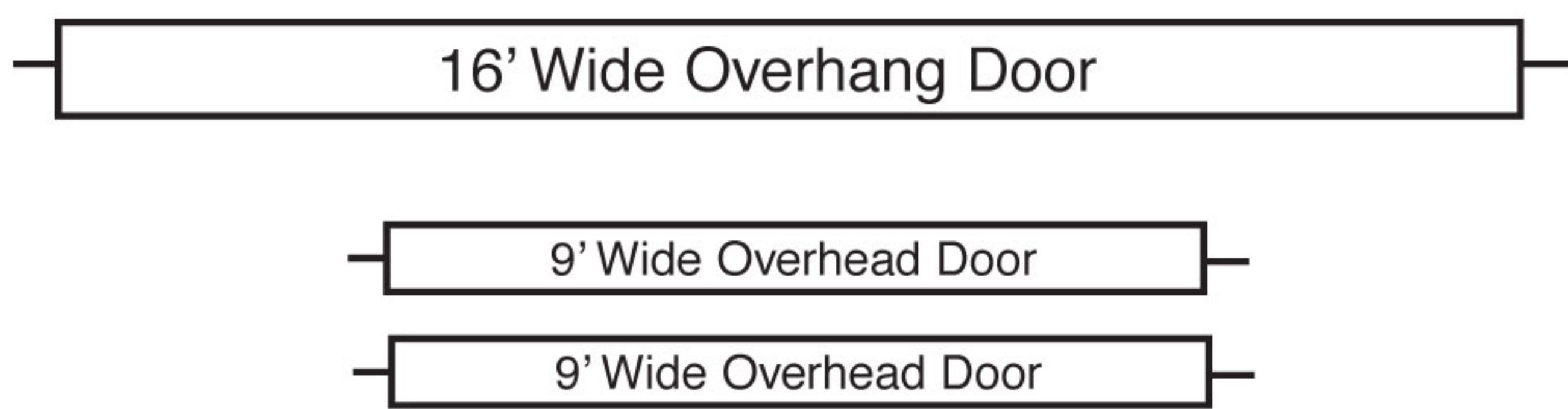
Pick-Up (7' X 17')



Snowmobile
(3 1/2' X 9')



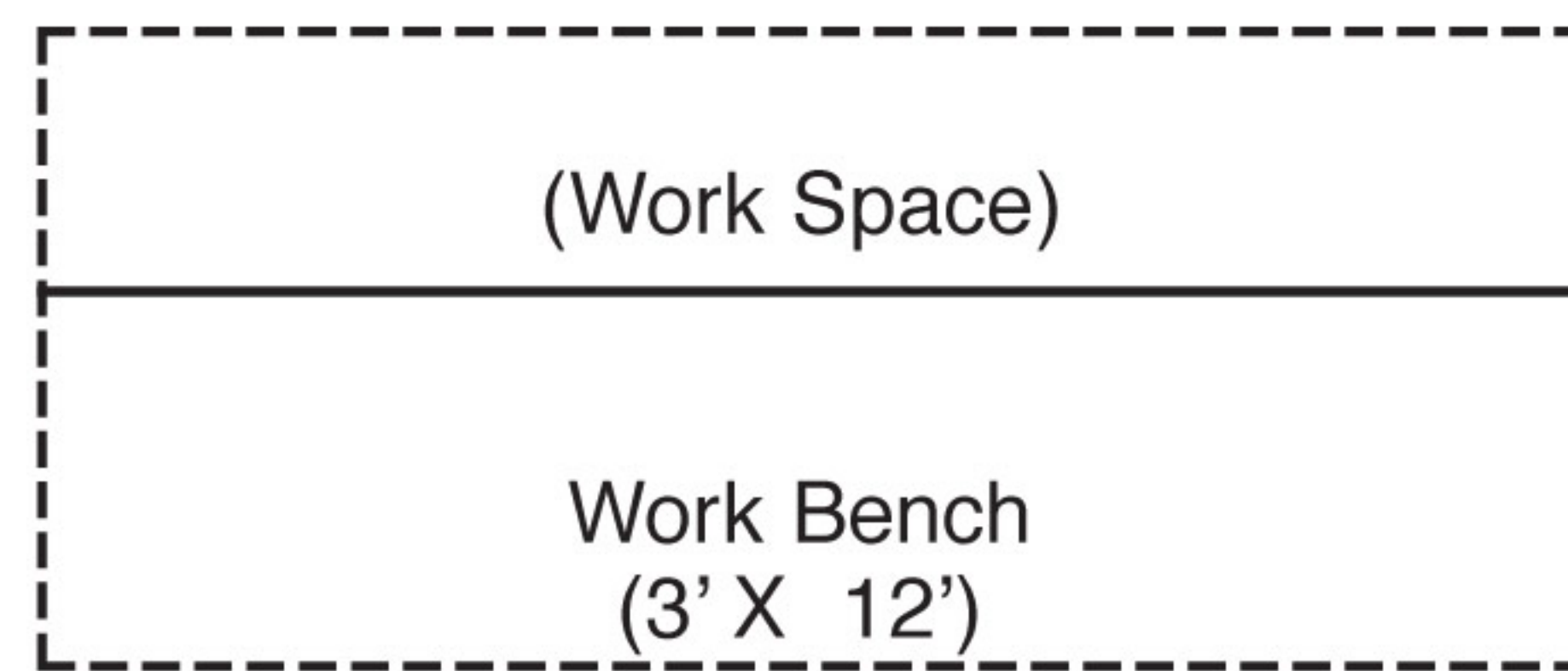
Snowmobile
(3 1/2' X 9')



16' Wide Overhang Door

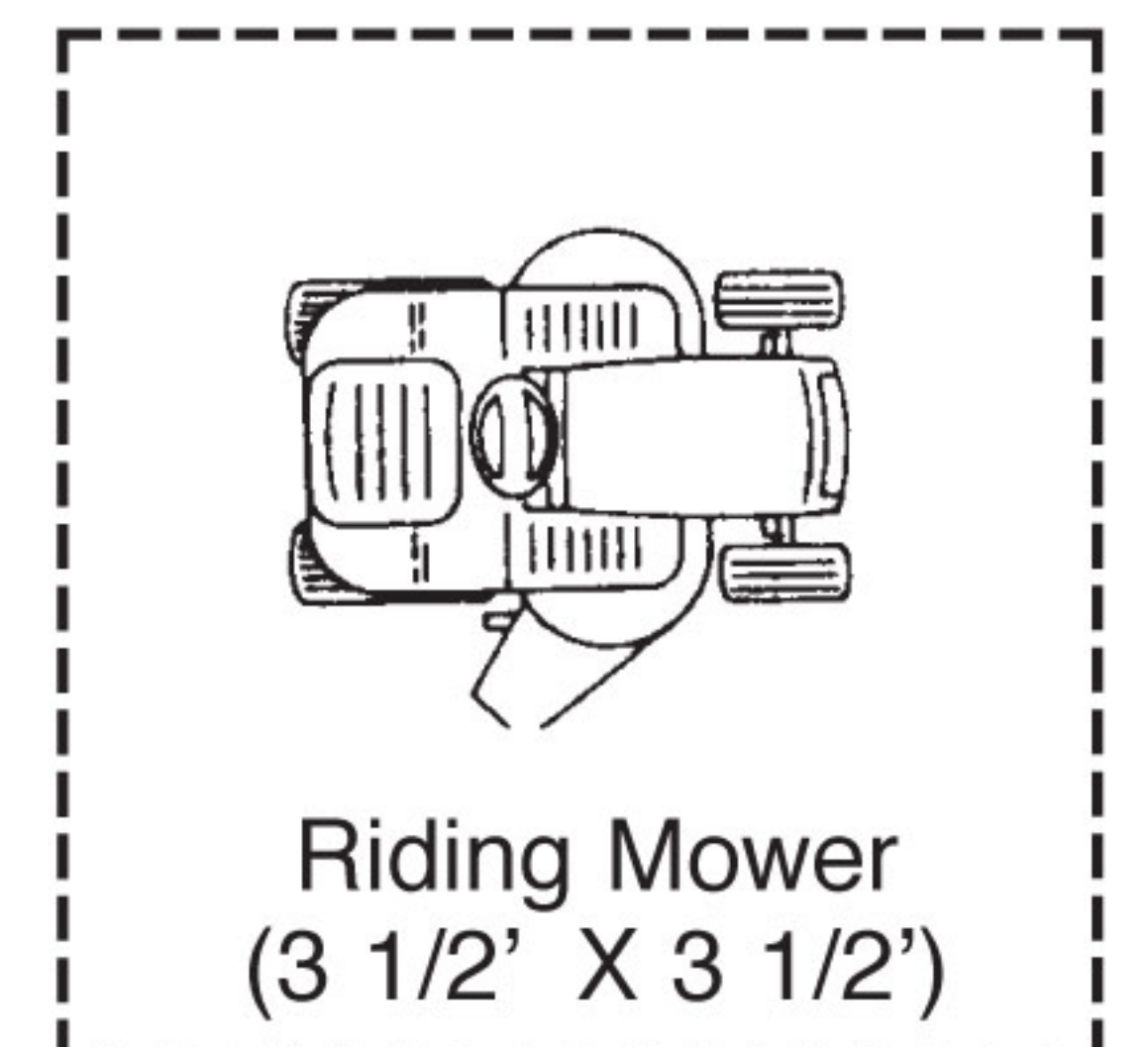
9' Wide Overhead Door

9' Wide Overhead Door

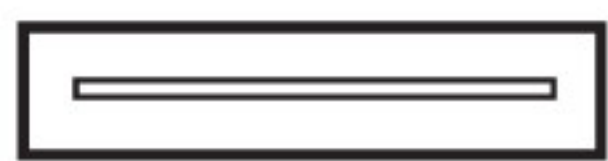


(Work Space)

Work Bench
(3' X 12')



Riding Mower
(3 1/2' X 3 1/2')



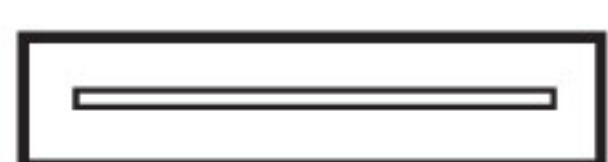
36" X 36"
Window



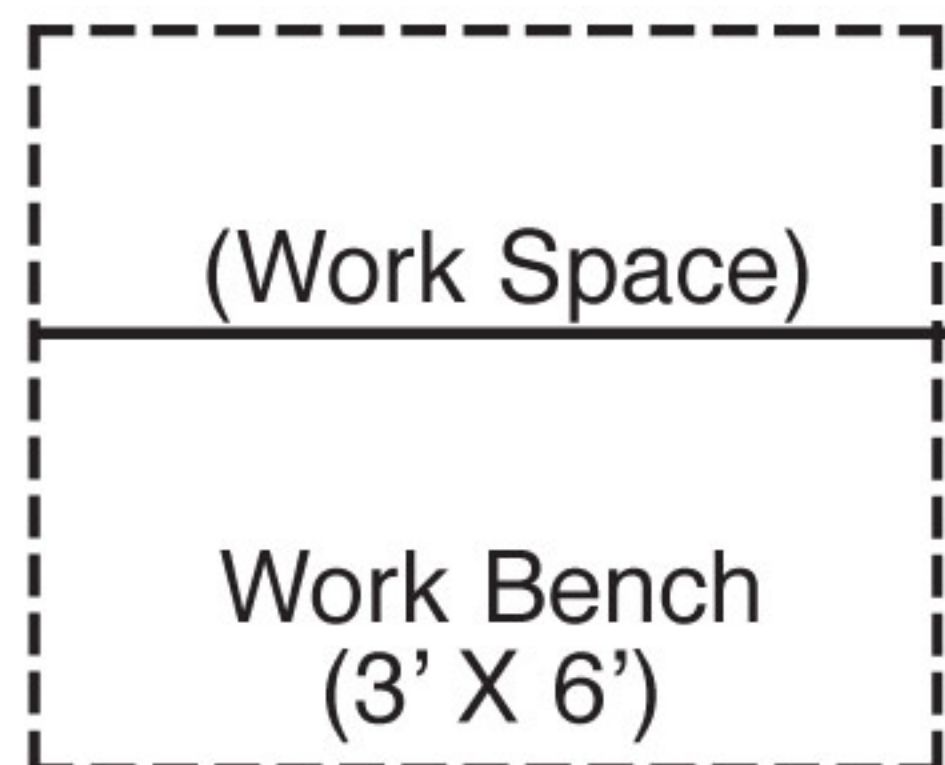
36" X 36"
Window



36" X 36"
Window

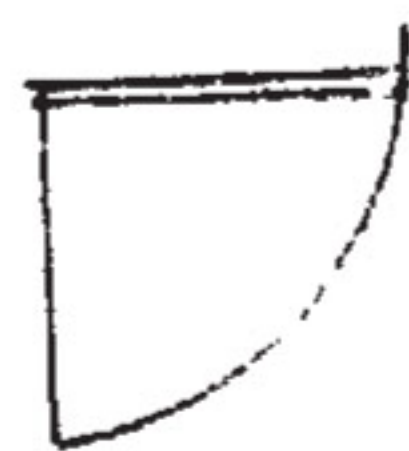


36" X 36"
Window



(Work Space)

Work Bench
(3' X 6')



32" X 80 "
Walk Door
(Left Hinge)



32" X 80 "
Walk Door
(Right Hinge)



Create Your Own Template